

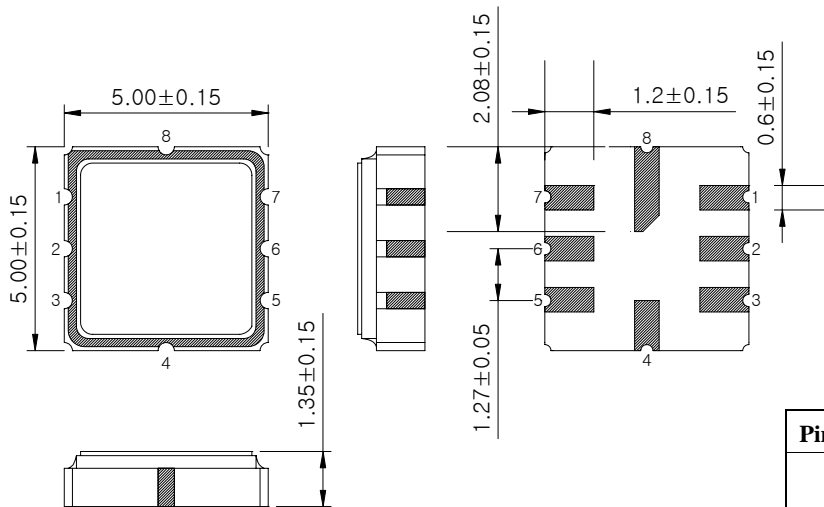
SAW Resonator R41801



Features

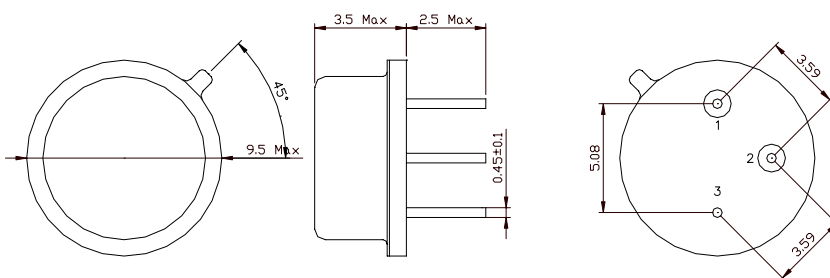
- 1-port Resonator
- Quartz Frequency Stabilization
- For transmitters or Local Oscillators

Package Dimension – S5050



| Pin Configuration | |
|-------------------|--------|
| 2 | Input |
| 6 | Output |
| 1, 3, 4, 5, 7, 8 | Ground |

Package Dimension – TO-39



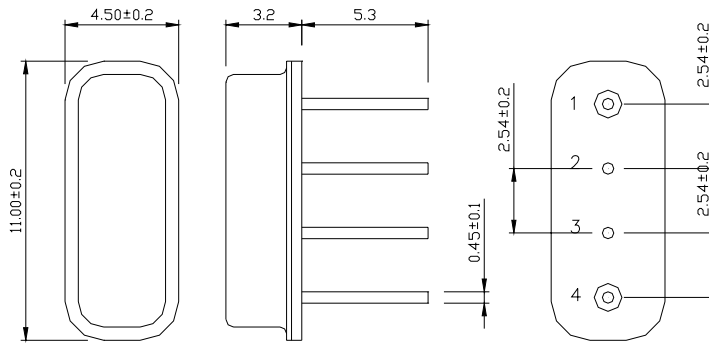
| Pin Configuration | |
|-------------------|-------------|
| 1 | Input |
| 2 | Output |
| 3 | Case ground |

| | | | | |
|--|---|-----------|-------------|-----|
| | ITF Co., Ltd. 102-901, Bucheon Technopark 364, Samjeong-Dong, Ojeong-Gu, Bucheon-City, Gyeonggi-Do, Korea 421-809 | Part No. | R41801 | |
| | | Rev. Date | 2004-04-20 | |
| | | Rev. | NS3120-AS01 | 1/6 |

SAW Resonator R41801



Package Dimension – F-11



| Pin Configuration | |
|-------------------|-------------|
| 1 | Input |
| 4 | Output |
| 2, 3 | Case ground |

Marking Configuration

ITF¹⁾
41801²⁾

- 1) Manufacturer name
- 2) Marking Number
 - * Ink or Laser Marking available
 - * Front 4 digits for S5050

Maximum Ratings

| Parameter | Unit | Minimum | Typical | Maximum |
|-----------------------------|------|---------|---------|---------|
| Operating Temperature Range | °C | -10 | 25 | 60 |
| Storage Temperature Range | °C | -40 | - | 85 |
| Power Handling Capability | dBm | - | 0 | - |

Electrostatics Sensitive Device (ESD)

| | | | | |
|--|---|-----------|-------------|-----|
| | ITF Co., Ltd. 102-901, Bucheon Technopark 364, Samjeong-Dong, Ojeong-Gu, Bucheon-City, Gyeonggi-Do, Korea 421-809 | Part No. | R41801 | |
| | | Rev. Date | 2004-04-20 | |
| | | Rev. | NS3120-AS01 | 2/6 |

SAW Resonator R41801



Electrical Specification

$F_R = 418.0\text{MHz}$

Terminating source impedance : 50Ω and matching network

Terminating load impedance : 50Ω and matching network

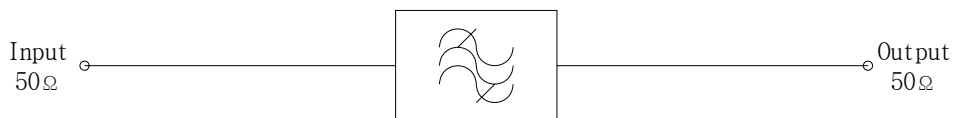
| | | Minimum | Typical | Maximum |
|--------------------------------------|---------------------------------|---------|---------|---------|
| Resonance Frequency (F_R) | MHz | 417.925 | 418.000 | 418.075 |
| Insertion Loss | dB | - | 1.5 | 2.5 |
| 50 ohm Loaded Q | | | 2,000 | |
| Unloaded Q | | | 12,800 | |
| Trun-over Temperature | $^{\circ}\text{C}$ | 10 | 25 | 40 |
| Temperature Coefficient of Frequency | $\text{ppm}/^{\circ}\text{C}^2$ | - | -0.032 | - |

Notes :

- 1) All specifications are based on the matching schematic shown below
- 2) All specifications are measured by Agilent Network analyzer and full 2 port calibration at room temperature

Matching Schematic

(Actual matching values may vary due to PCB layout and parasitics)

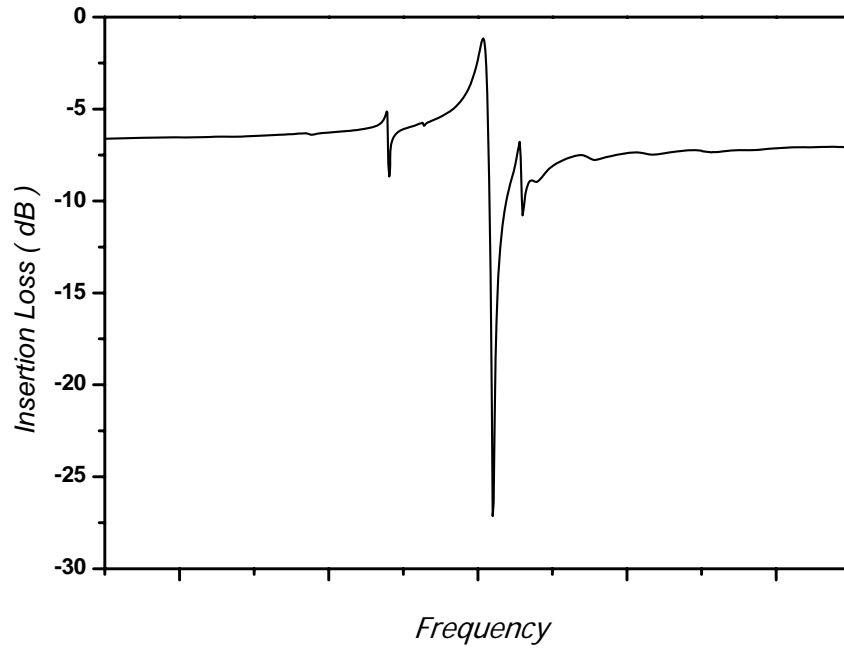



| | | | | |
|--|---|-----------|-------------|-----|
| | ITF Co., Ltd. 102-901, Bucheon Technopark 364, Samjeong-Dong, Ojeong-Gu, Bucheon-City, Gyeonggi-Do, Korea 421-809 | Part No. | R41801 | |
| | | Rev. Date | 2004-04-20 | |
| | | Rev. | NS3120-AS01 | 3/6 |

SAW Resonator R41801



Frequency Response



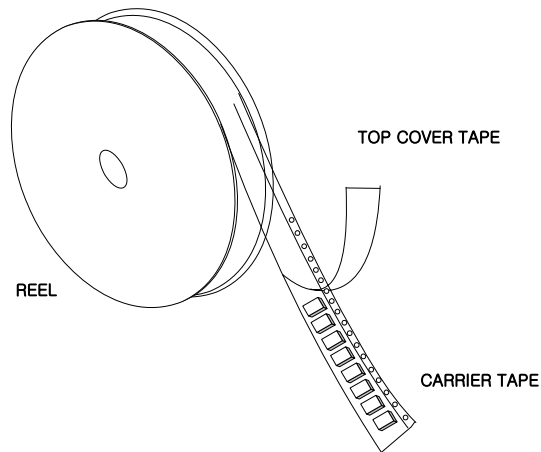
| | | | | |
|---|---|-----------|-------------|-----|
|  Integrated Technology Future | ITF Co., Ltd. 102-901, Bucheon Technopark 364, Samjeong-Dong, Ojeong-Gu, Bucheon-City, Gyeonggi-Do, Korea 421-809 | Part No. | R41801 | |
| | | Rev. Date | 2004-04-20 | |
| | | Rev. | NS3120-AS01 | 4/6 |

SAW Resonator R41801



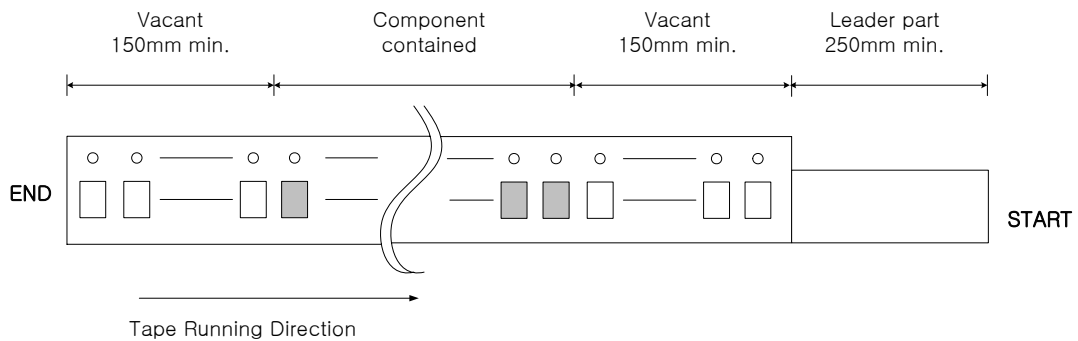
Packing Specification

1. Reeling Quantity : 1000 pcs / reel
2. Taping Structure : The tape shall be wound around the reel in the direction shown below.



Tape Specification

1. Leader part and vacant position specification

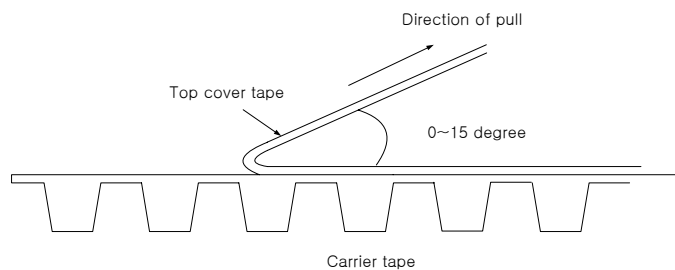


2. Tensile strength of carrier tape

4.4N/mm width

3. Top cover tape adhesion

- 1) pull off angle : 0~15°
- 2) speed : 300mm/min
- 3) force : 20~70g



| | | | | |
|--|---|-----------|-------------|-----|
| | ITF Co., Ltd. 102-901, Bucheon Technopark 364, Samjeong-Dong, Ojeong-Gu, Bucheon-City, Gyeonggi-Do, Korea 421-809 | Part No. | R41801 | |
| | | Rev. Date | 2004-04-20 | |
| | | Rev. | NS3120-AS01 | 5/6 |

